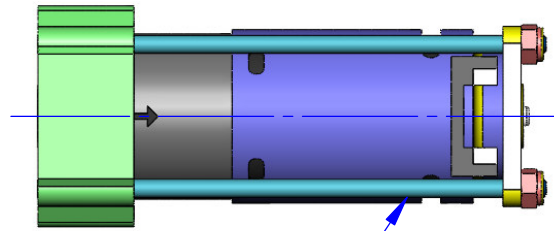


DEWALT POWER DRIVE ASSEMBLY

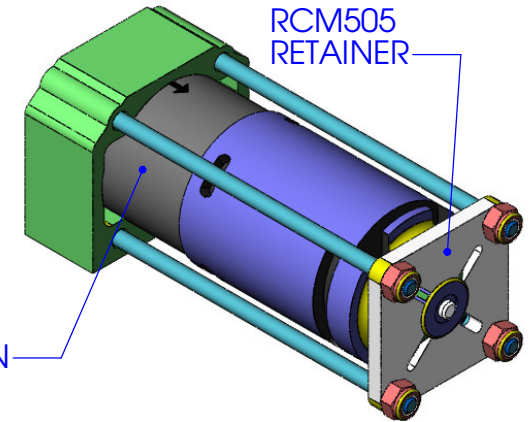
Total weight: 35.7oz

Part #: RCM515 includes:

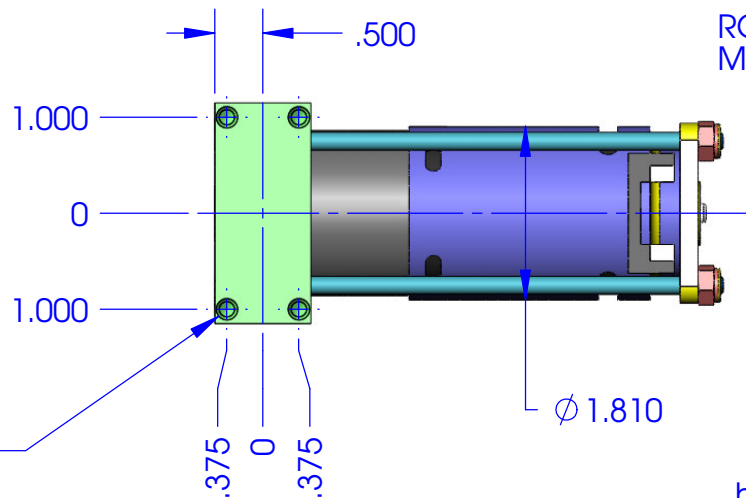
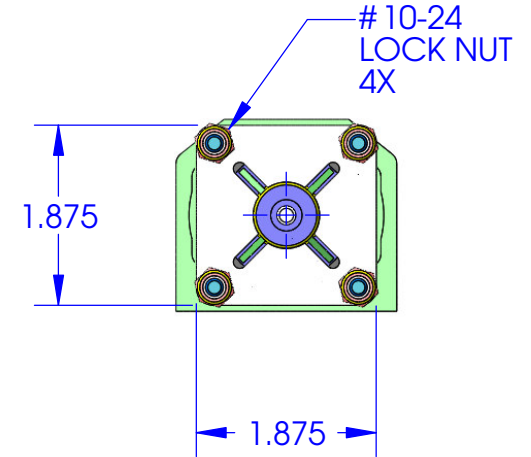
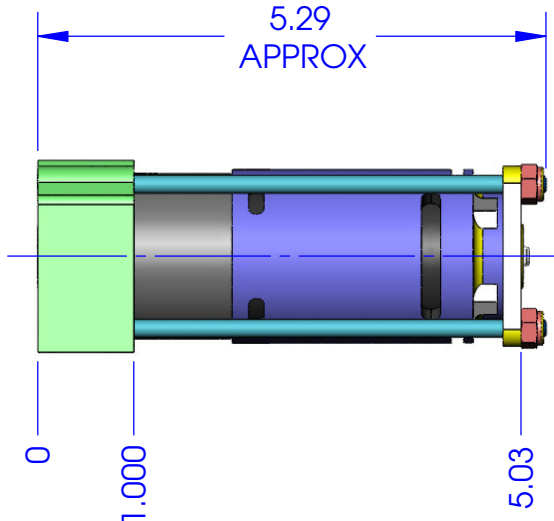
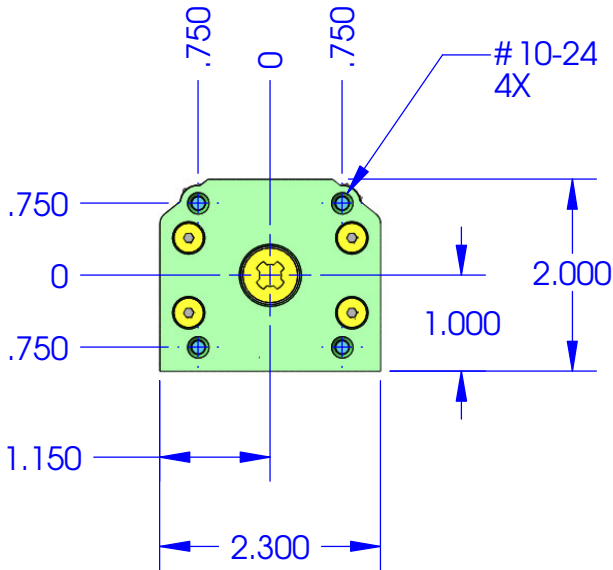
- RCM500 mount
- RCM505 retainer
- RCM510 motor
- RCM511 transmission
- RCM512 drive shaft
- (X-shaft only, not shown)



10-24 THREADED ROD
4X

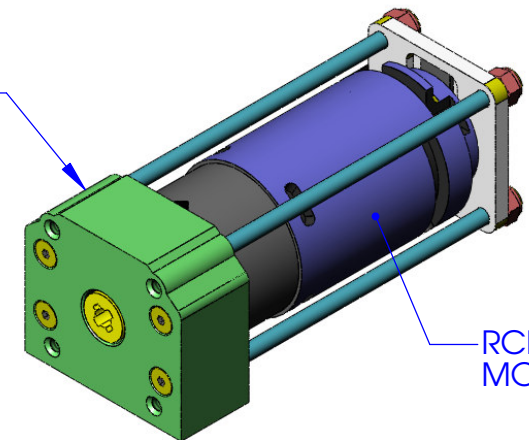


RCM511
TRANSMISSION



10-24
.375 DP.
4X

RCM500
MOUNT



RCM510
MOTOR